



PRODUCT SPECIFICATION C2xFMW3 12W

Document prepared and responsible for

M. Mauritz

Responsible for technical data

S. Trethan

Day

26

Month

11

Year

20

Revision

E

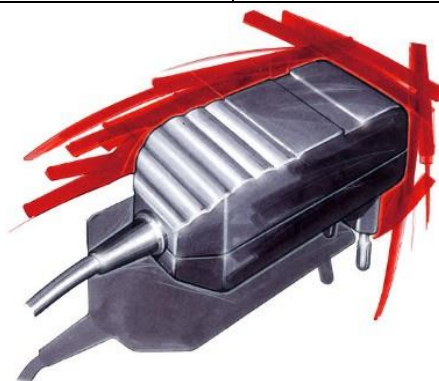


EGSTON

Switch Mode Battery Charger for Li-ion/NiMH/NiCd cells


Product Name: C2xFMW3 12W

| | |
|-----------------|---|
| Input: | 90 - 264 VAC |
| Output : | 3,0 V – 25,5 V DC max. 12 W max. 2,4 A |
| Type: | C2xFMW3 12W |



CONFIDENTIAL

This document contains proprietary information originated and/or owned by EGSTON GmbH. This information shall not be duplicated, used or disclosed in whole, or in part, to any other party or used for any other purpose without the prior consent of EGSTON GmbH.

| | | | | | |
|---|--|----|-----|-----------|------|
|  | PRODUCT SPECIFICATION C2xFMW3 12W | | | Page 2/21 | |
| | Document prepared and responsible for | | | | |
| | M. Mauritz | | | | |
| | Responsible for technical data | | Day | Month | Year |
| S. Trethan | | 26 | 11 | 20 | E |

1 REVISION HISTORY

1.1 Evolution


| Edition | Date | Responsible | Reason of change |
|----------------|-------------|--------------------|--|
| A | 19.01.2007 | Lambeck | First edition |
| B | 14.04.2008 | Mauritz | Exchangeable plugs added |
| C | 20.01.2009 | Mauritz | C2xFyW changed to C2xFzW3 |
| D | 15.04.2013 | Mauritz | Signaling changed |
| E | 26.11.2020 | Mauritz | Household and Information Technology removed |
| | | | |

2 SCOPE

This document describes a switch mode power supply unit (AC/DC converter) with a sub board for charging Li-ion/NiMH/NiCd batteries.

The unit is designed as a Wall Plug In power supply or a Desk Top Module.

According to the standard: Medical

| | | | | | | |
|---|--|--|----|-----|-----------|------|
|  | PRODUCT SPECIFICATION C2xFMW3 12W | | | | Page 3/21 | |
| | Document prepared and responsible for | | | | | |
| | M. Mauritz | | | | | |
| | Responsible for technical data | | | Day | Month | Year |
| S. Trethan | | | 26 | 11 | 20 | E |

3 TECHNICAL SPECIFICATION SHEET

3.1 Input Specification

| Parameter | Key | Min | Typ. | Max | Unit | Test Cond. |
|---------------------|-----------|-----|------|-----|------|--------------|
| Input Voltage | U_{IN} | 90 | | 264 | V | AC |
| Input Current | I_{IN} | 3 | | 350 | mA | |
| Input Frequency | f_{IN} | 47 | | 63 | Hz | |
| Efficiency | η | 71 | | 81 | % | At full load |
| Switching Frequency | f_{sw} | | 40 | | kHz | |
| Stand-by power | P_{stb} | | 650 | | mW | Without load |

Input Voltage


If the input voltage is outside the operating range, the power supply does not meet the full specification. Above the specified upper limit of the input voltage the unit can get damaged. Below the specified lower limit of the input voltage the unit does not meet the specification.

Efficiency Under Load

The efficiency is defined as the ratio between the output power and input power.

3.2 Safety and Environmental Conditions

| Sec | Parameter | Key | Min | Typ. | Max | Unit | Test Cond. |
|-----|-----------------------|-----|------|------|-----|------------------|------------|
| | Dielectric Strength | | 4,24 | | | KV _{DC} | |
| | Operating Temperature | | -5 | | 40 | °C | |
| | | | 23 | | 104 | °F | |
| | Storage Temperature | | -30 | 25 | 80 | °C | |
| | | | -22 | 77 | 176 | °F | |
| | Humidity | | | | 95 | % | |

| | | | | | | |
|---|--|--|----|-----|-----------|------|
|  | PRODUCT SPECIFICATION C2xFMW3 12W | | | | Page 4/21 | |
| | Document prepared and responsible for | | | | | |
| | M. Mauritz | | | | | |
| | Responsible for technical data | | | Day | Month | Year |
| S. Trethan | | | 26 | 11 | 20 | E |


3.3 Output Specification

| Parameter | Key | Min | Typ. | Max | Unit | Test Cond. |
|--------------------------|-----------------------|-----|------|-----------|-------------------|--|
| Output Voltage | U_2 | 3 | | 25,5 | V | 0 – 2,4 A |
| Output Voltage Tolerance | T_{U_2} | | | 1 | % | at PCB for Li-ion |
| Output Current | $I_{2\text{Nominal}}$ | | | 2,4 | A | |
| Output Power | P_2 | | 11,4 | | W | |
| Ripple Voltage | $U_{2,rms}$ | | | 80 100 | mV _{rms} | $U_{IN} = 264V$ $U_{IN} = 90V$ Accu Load |

The unit is long time short circuit proof.

3.3.1 Maximal Power Ratings for NiMH/NiCd cells

| Number of NiMH/NiCd cells | Nominal Battery Voltage [V] | Max. Output Voltage [V] (1,85V/cell) | Max. Output Current [A] |
|---------------------------|-----------------------------|--------------------------------------|-------------------------|
| 3 | 3,6 | 5,6 | 2,0 |
| 4 | 4,8 | 7,4 | 1,55 |
| 5 | 6,0 | 9,3 | 1,2 |
| 6 | 7,2 | 11,1 | 1,0 |
| 7 | 8,4 | 13 | 0,9 |
| 8 | 9,6 | 14,8 | 0,75 |
| 9 | 10,8 | 16,7 | 0,7 |
| 10 | 12 | 18,5 | 0,6 |
| 11 | 13,2 | 20,4 | 0,55 |
| 12 | 14,4 | 22,2 | 0,5 |
| 13 | 15,6 | 24,1 | 0,48 |
| 14 | 16,8 | 25,5 (1,82 V/cell) | 0,45 |

| | | | | | | |
|---|--|--|----|-----|-----------|------|
|  | PRODUCT SPECIFICATION C2xFMW3 12W | | | | Page 5/21 | |
| | Document prepared and responsible for | | | | | |
| | M. Mauritz | | | | | |
| | Responsible for technical data | | | Day | Month | Year |
| S. Trethan | | | 26 | 11 | 20 | E |

3.3.2 Maximal Power Ratings for Li-ion cells

| Number of Li-ion cells | Nominal Battery Voltage [V] | Max. Output Voltage [V] | Max. Output Current [A] |
|------------------------|-----------------------------|-------------------------|-------------------------|
| 1 | 3,7 | 4,2 | 2,4 |
| 2 | 7,4 | 8,4 | 1,35 |
| 3 | 11,1 | 12,6 | 0,9 |
| 4 | 14,8 | 16,8 | 0,7 |
| 5 | 18,5 | 21,0 | 0,55 |
| 6 | 22,2 | 25,2 | 0,45 |

3.3.3 Reverse Current

| | | | |
|----------------------|-----|-----|-----|
| Battery Voltage [V] | 3 | 10 | 25 |
| Reverse Current [mA] | 0,1 | 0,2 | 0,5 |

3.3.4 Thermistor in battery (optional)

Typical NTC: $10K\Omega \pm 5\%$ @25°C, $\beta_{25-85^\circ C} = 3477$, referenced to battery negative.

3.3.5 Modes of Operation

RESET – BATTERY AND NTC DETECTION

Battery cells are switched off, no signaling, μP measures if battery voltage and optionally battery thermistor are available.

POLLING


The battery is shorted, empty or intrinsically safe and thus the measured voltage is low, no signaling, charger is switched on for 1ms/1sec, μP measures if some charge current flows => There is a battery at disposal

PRECHARGE I

Battery is connected, but its voltage is very low, customer specified signaling, defined Time Out, charger applies pulses to the battery => average charge current of 12mA, when battery voltage exceeds 3V, mode "Precharge II" begins.

PRECHARGE II

Battery voltage is in range from 3V up to (1V/cell x No. Of cells for Ni, 3V x No. Of cells for Li), customer specified signaling, defined Time Out, customer specified charge current

| | | | | | |
|---|--|----|-----|-------|-----------|
|  | PRODUCT SPECIFICATION C2xFMW3 12W | | | | Page 6/21 |
| | Document prepared and responsible for | | | | |
| | M. Mauritz | | | | |
| | Responsible for technical data | | Day | Month | Year |
| S. Trethan | | 26 | 11 | 20 | E |

CHARGE PENDING

Battery temperature is either very low (typical below 0°C) or very high (typical over 40°C), customer specified signaling, defined Time Out, charger is switched off.

RAPID CHARGE

Battery is charged with maximum charge current (typical C/2), customer specified signaling.

Primary terminations for NiMH/NiCd: Temperature gradient dT/dt
 Drop Voltage –DV

Primary termination for Li-ion: I/10 - charge current falls below defined level

Default terminations: Maximum Cell Temperature
 Maximum Cell Voltage
 Time Out

TOP OFF CHARGE

NiMH/NiCd:

Pulsed charge using user defined current and 30% duty cycle with a period of 1 second. Top Off Charge ends after Time Out, Maintenance Charge begins. Customer specified signaling.

Li-ion:

Signaling shows “I am fully charged”, but the battery is still charged for defined time with a very low current

MAINTENANCE CHARGE

This is a low duty cycle current pulse applied after Top Off Charge to offset self discharge. The peak amplitude is the toff charge rate, pulse width is 1 s and the period is 60 seconds. Maintenance Charge ends after Time Out. Charger may restart if battery is simultaneously discharged and its voltage sinks below a defined level. Customer specified signaling.

Li-ion: This mode is skipped


CHARGE OVER

Charger is switched off, it may restart if the battery is simultaneously discharged and its voltage sinks under defined level. Customer specified signaling.

FAULT I

Charger is switched off because of high battery temperature, expired Time Out or short circuit during Rapid Charge. Unplug the battery to restart. Customer specified signaling.

FAULT II

| | | | | | | |
|---|--|--|----|-----|-----------|------|
|  | PRODUCT SPECIFICATION C2xFMW3 12W | | | | Page 7/21 | |
| | Document prepared and responsible for | | | | | |
| | M. Mauritz | | | | | |
| | Responsible for technical data | | | Day | Month | Year |
| S. Trethan | | | 26 | 11 | 20 | E |

Charger is switched off because of high battery voltage. Charger must be unplugged from mains to restart. Customer specified signaling.

3.3.6 Signaling

There is a single LED indicator with red/green LED in the charger. The two colours can be mixed to produce amber light, and various flashing light patterns are also available.

3.3.6.1 Examples of typical patterns used

Standard

| Condition | LED Color |
|-----------------|----------------|
| Rapid Charge | AMBER |
| Charge Complete | GREEN |
| Precharge | FLASHING AMBER |
| Charge Pending | FLASHING RED |
| Charge Failure | RED |
| No AC/Standby | OFF |

Medical

| Condition | LED Color |
|-----------------|-------------|
| Rapid Charge | GREEN 50/50 |
| Charge Complete | GREEN |
| Precharge | GREEN 10/90 |
| Charge Pending | GREEN 10/90 |
| Charge Failure | RED |
| No AC/Standby | OFF |

3.3.6.2 Selection of standard LED patterns

| Visible Colour | Green LED | Red LED |
|--------------------------------|------------------------------|-----------------------------|
| Dark | OFF | OFF |
| Green | ON | OFF |
| Red | OFF | ON |
| Amber | ON | ON |
| Flashing Red | OFF | 0,5 sec ON / 1 sec (50/50) |
| Flashing Amber | 0,25 sec ON / 1 sec (25/75) | 0,25 sec ON / 1 sec (25/75) |
| Flashing Green | 0,5 sec ON / 1 sec (50/50) | OFF |
| Fast Flashing Green | 0,05 sec ON / 0,5 sec (5/45) | OFF |
| Flashing Green, low duty cycle | 0,1 sec ON / 1 sec (10/90) | OFF |

It is possible to create other patterns as required.

Document prepared and responsible for

M. Mauritz

Responsible for technical data

S. Trethan

Day

26

Month

11

Year

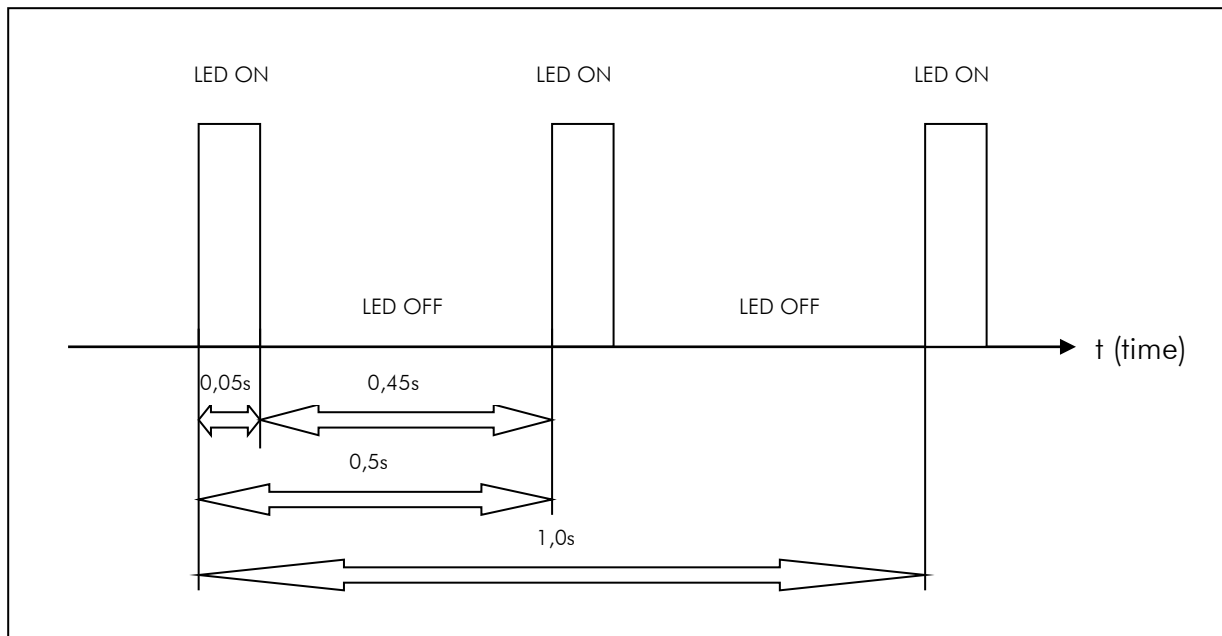
20

Revision


E

Schematical Example for cycle time:

Example for: 0,05 sec ON / 0,5 sec (5/45)



There are two types of LED lens available, the standard lens and the high diffusion lens. It is recommended to order the high diffusion lens for products using amber light to optimise light mixing and achieve a pleasing appearance.

| | | | | | |
|---|--|----|-----|-----------|------|
|  | PRODUCT SPECIFICATION C2xFMW3 12W | | | Page 9/21 | |
| | Document prepared and responsible for | | | | |
| | M. Mauritz | | | | |
| | Responsible for technical data | | Day | Month | Year |
| S. Trethan | | 26 | 11 | 20 | E |

3.3.7 Special Features

Remote Voltage Sensing

Remote Voltage Sensing improves the battery voltage measurement precision, especially for intrinsically safe batteries or any other battery with diodes in series with a battery cell.

Output fuse

It is possible to add an output fuse (SMD case 1206) in the charger. It is not replaceable and insures increased safety.

Remote LED

Remote LED serves for remote signalling of the charge status. When the charger is hidden to the customer during charge, "Remote LED" lead is connected to Anode of an external LED, built for example into the battery pack. Signalling of this LED is customer defined.

Auxiliary Power

It is possible to supply an unregulated voltage for some low energy device connected to the charged battery. This voltage varies, it is maximum (Open Voltage) when battery is switched off (because of high or low temperature or when full), its minimum value depends on the battery voltage when charger is switched on.

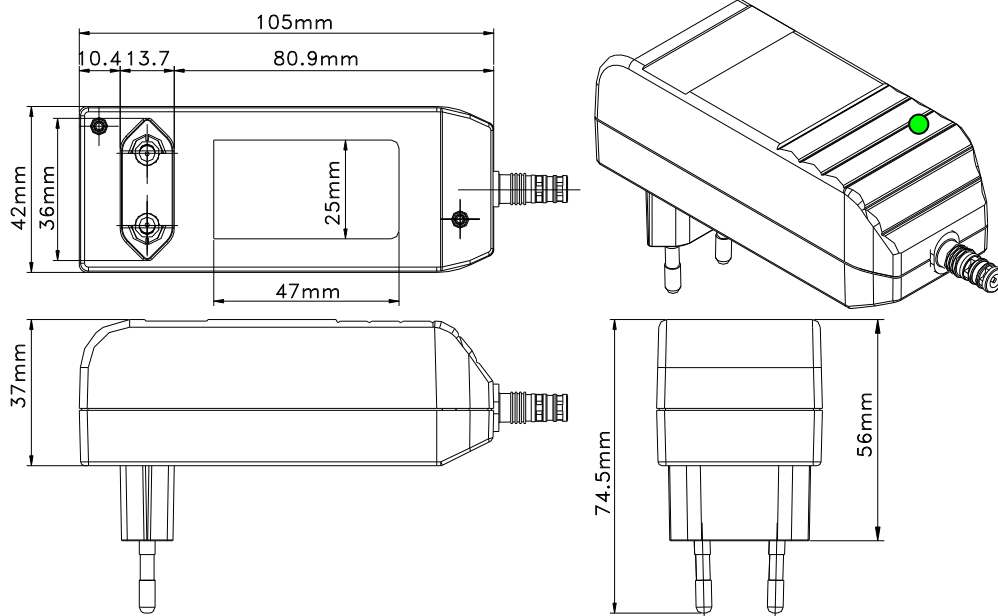
Customer specific secondary Plug

| | | | | | |
|---------------------------------------|--|-----|-------|------|----------|
| Document prepared and responsible for | | | | | |
| M. Mauritz | | | | | |
| Responsible for technical data | | Day | Month | Year | Revision |
| S. Trethan | | 26 | 11 | 20 | E |

4 MECHANICAL PARAMETERS

4.1 Housing dimension

4.1.1 Euro housing



Document prepared and responsible for

M. Mauritz

Responsible for technical data

S. Trethan

Day

26

Month

11

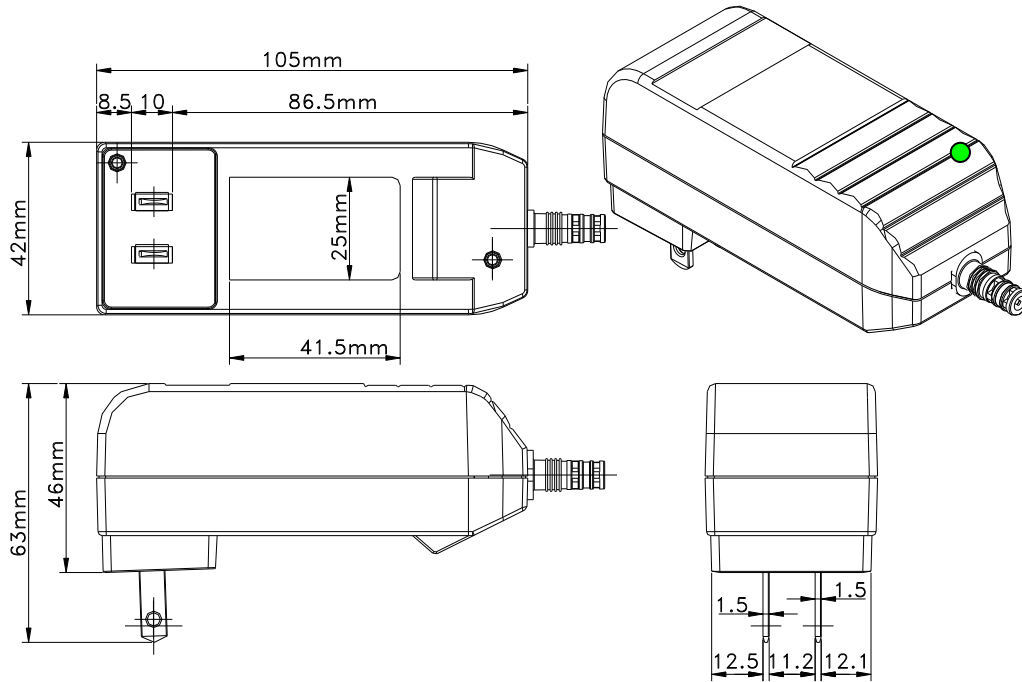
Year

20

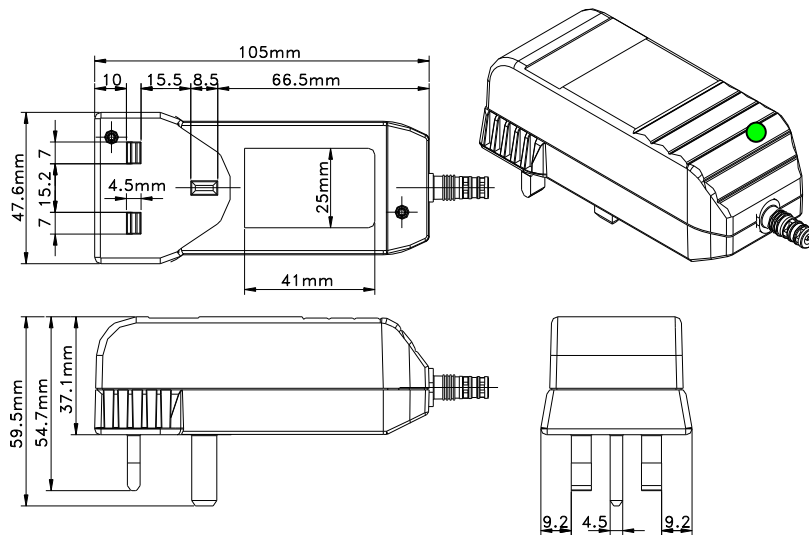
Revision

E

4.1.2 US Housing



4.1.3 UK Housing





PRODUCT SPECIFICATION C2xFMW3 12W

Page 12
/21

Document prepared and responsible for

M. Mauritz

Responsible for technical data

S. Trethan

Day

26

Month

11

Year

20

Revision

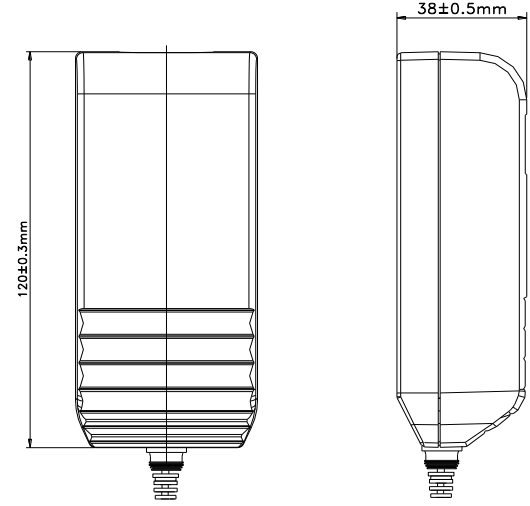
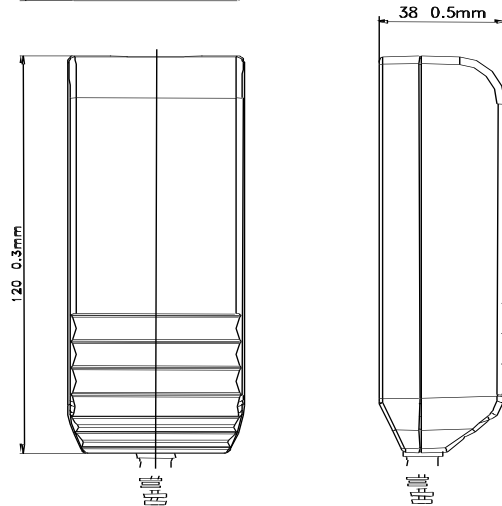
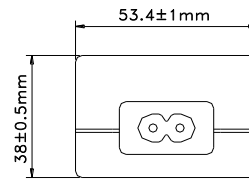
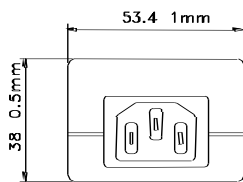
E

4.1.4 Desk Top Housing

With IEC 320 C14 Primary Plug

With IEC 320 C8 primary Plug

(Medical device only IEC 320 C8 or C18)





PRODUCT SPECIFICATION C2xFMW3 12W

Document prepared and responsible for

M. Mauritz

Responsible for technical data

S. Trethan

Day

26

Month

11

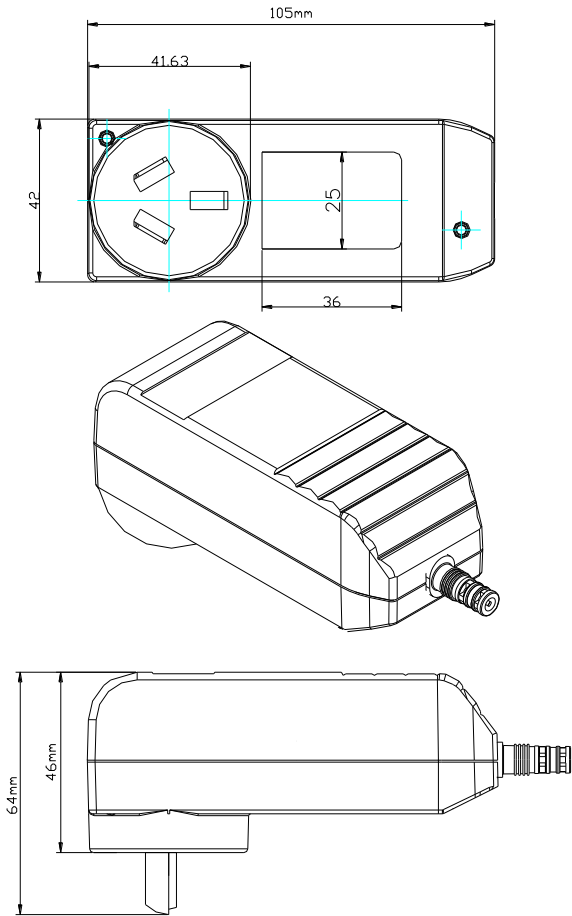
Year

20

Revision

E

4.1.5 Australia Housing



PRODUCT SPECIFICATION C2xFMW3 12W

Document prepared and responsible for

M. Mauritz

Responsible for technical data

S. Trethan

Day

26

Month

11

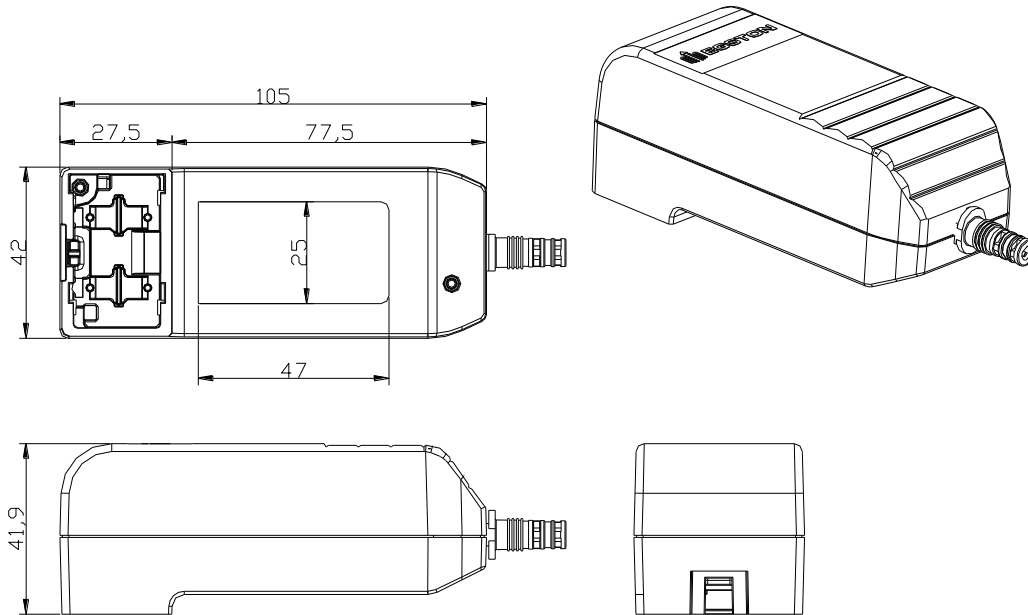
Year

20

Revision

E

4.1.6 Changeable Plug Housing



Document prepared and responsible for

M. Mauritz

Responsible for technical data

S. Trethan

Day

26

Month

11

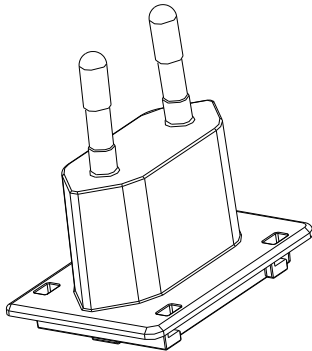
Year

20

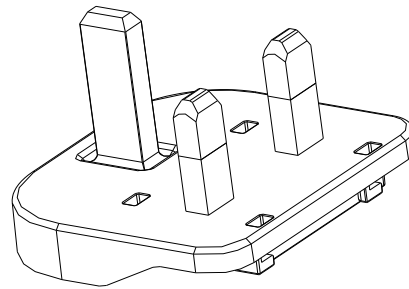
Revision

E

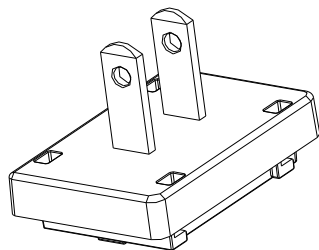
**EU Plug according:
EN50075**



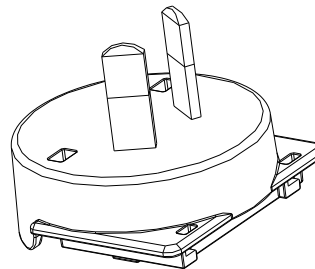
**UK Plug according:
BS1363**



**US Plug according:
UL1310**




**Australia Plug according:
AS/NZS 3112**



4.2 Housing Material

| | 6W UK,EURO,US | 12W UK,EURO,US | 24W UK,EURO,US | DESKTOP |
|-------------------|------------------|-------------------|-------------------|---------|
| Material | PA6,V0 | PA6,V0 | PA6,V0 | PA6,V0 |
| Flammability rate | V0 | V0 | V0 | V0 |

| | | | | | | |
|---|--|----|-----|----------------|------|---------------------------------------|
|  | PRODUCT SPECIFICATION C2xFMW3 12W | | | Page 16 /21 | | |
| | | | | | | Document prepared and responsible for |
| | M. Mauritz | | | | | |
| | Responsible for technical data | | Day | Month | Year | Revision |
| S. Trethan | | 26 | 11 | 20 | E | |

4.3 Cable And Connector

According to customer's requirements.

Minimum two leads:

Charger Negative Output (e.g. white)


Charger Positive Output (e.g. red)

Optionally:

Thermistor (e.g. green)

Positive Voltage Sense (e.g. yellow)


Remote LED Output or Auxiliary Power (e.g. blue)

| | | | | | |
|---|--|----|-----|----------------|------|
|  | PRODUCT SPECIFICATION C2xFMW3 12W | | | Page 17 /21 | |
| | Document prepared and responsible for | | | | |
| | M. Mauritz | | | | |
| | Responsible for technical data | | Day | Month | Year |
| S. Trethan | | 26 | 11 | 20 | E |

5 ORDERING INFORMATION

5.1 SMPS

| | | |
|------------|------------------------------|--|
| | POWER CLASS | 12 Watt |
| C | SUPPLY TYPE | C = New Charger Generation |
| 2 | OPERATION TEMP. RANGE | 2 = -5°C to +40°C |
| E | PRIMARY CONNECTOR | E = Euro plug U = US/Japan/Canada Plug G = United Kingdom Plug D = Desktop Module |
| F | CABLE CONNECTION | F = Fixed |
| S | APPLICATION | M = Medical |
| W | WIDE INPUT RANGE | W = 90V-264V |
| 12W | HOUSING DIMENSION | 12W |
| 12V | OUTPUT VOLTAGE | 3.0V-25,5V |
| 1A | OUTPUT CURRENT | 2400mA max. |

| | | | | | | |
|---|--|--|----|----------------|-------|---------------------------------------|
|  | PRODUCT SPECIFICATION C2xFMW3 12W | | | Page 18 /21 | | |
| | | | | | | Document prepared and responsible for |
| | M. Mauritz | | | | | |
| | Responsible for technical data | | | Day | Month | Year |
| S. Trethan | | | 26 | 11 | 20 | E |

5.2 Charger

For setting of charge parameters we need the following information:

1/ Type of the battery

(Li-ion, NiMH, NiCd, other)

2/ Datasheet of the battery

(battery capacity, maximum charge current, maximum temperature during charge, charge curves at various ambient temperatures, manufacturer)

3/ Configuration of the battery Pack

(number of cells in series, parallel, NTC specification – when used, define “Special features” – see 3.3.7, elements in series with the battery cell, parallel discharge operation)

4/ Signaling

(e.g. A8/B6/C5/D2/E7, see 3.3.6)

5/ Required standards

6/ Marking


7/ Definition of the output cord (number of leads, length)

+ nominal length 1,5m

8/ Definition of the output connector

+ standard connectors upon request

9/ Amount of required samples

| | | | | | |
|---|--|----|-----|----------------|------|
|  | PRODUCT SPECIFICATION C2xFMW3 12W | | | Page 19 /21 | |
| | Document prepared and responsible for | | | | |
| | M. Mauritz | | | | |
| | Responsible for technical data | | Day | Month | Year |
| S. Trethan | | 26 | 11 | 20 | E |

6 PACKAGING AND WEIGHT

| Cable with connector 5.5/2.1 | | 38 G | | | | | | | | | | | |
|------------------------------|----|-------|---------------------------------|---------------------|--------------------|--------------------|--------------|-------------------|--------------------|------------------|---------------|---------------|-------------|
| Instruction Manual | | 3.6 G | | | | | | | | | | | |
| Euro pallet empty (wooden): | | 21 Kg | | | | | | | | | | | |
| SINGLE PACKAGING | | | PS 1.5m cable+connector 5.5/2.1 | Single carton empty | Single carton full | Packing case empty | Packing unit | Packing case full | Cartons per pallet | Euro pallet full | Single carton | Packing case | Euro pallet |
| P2 | EU | 12W | 178 | 15 | 193 | 180 | 50 | 9.6 | 18 | 211 | 136x76x43.5 | 388x280x226 | 1200x800x |
| P2 | US | 12W | 178 | 15 | 193 | 180 | 50 | 9.6 | 18 | 194 | 136x76x43.5 | 388x280x226 | 1200x800x |
| P2 | Uk | 12W | 178 | 16 | 194 | 180 | 50 | 9.6 | 18 | 194 | 136x76x50.5 | 388x280x260.5 | 1200x800x |
| | | Unit | g | g | g | g | Pcs. | kg | Pcs. | kg | mm | mm | mm |

7 STANDARDS

| | |
|--------------------------------------|-------------------------------------|
| EN 55032 EN 55024 EN 60601-1-2 | General EMC standards |
| EN 60601-1* UL 60601-1 | Medical electrical equipment |


8 APPROVALS



C/US NRTL recognized approval issued by UL



Conformity with the EU low voltage directive and EMC directive

| | | | | | |
|---|--|----|-----|----------------|------|
|  | PRODUCT SPECIFICATION C2xFMW3 12W | | | Page 20 /21 | |
| | Document prepared and responsible for | | | | |
| | M. Mauritz | | | | |
| | Responsible for technical data | | Day | Month | Year |
| S. Trethan | | 26 | 11 | 20 | E |

| EMC – Special requirements according medical standard | |
|---|--|
| Intended use and intended environment | Home healthcare and/or Professional environment |
| Basic safety and essential performance of the EUT | The power supply unit is not a medical end product, therefore no essential performance is defined by the manufacturer. |
| Basic safety regarding EMC | The power supply has to ensure proper output voltage according to its characteristics, without service within expected service life. |
| WARNINGS | Medical electrical equipment needs special precautions regarding EMC and needs to be installed according to EMC information. |
| | PE of power supply shall be connected to PE of end medical product. User shall not modify power supply. |
| | The switch mode power supply is designed to achieve the EMI behavior of the specified environment, it includes specific EMI filter to reduce the emissions which are specified in the IEC60601-1-2 standard. |
| | Please read the complete technical documentation to avoid adverse events to the patient and operator. Read also instructions for use. |

| EMC - Environment | | | |
|---|---|---|---|
| The power supply is intended for use in the electromagnetic environment specified below. The customer or the user of the power supply should assure that it is used in such an environment. | | | |
| Emissions test | Compliance | Electromagnetic environment - guidance | |
| RF emissions CISPR 11 | Group 1 | The power supply uses RF energy only for its internal function. Therefore, its RF emissions are very low and are not likely to cause any interference in nearby electronic equipment. | |
| RF emissions CISPR 11 | Class B | The power supply is suitable for use in all establishments, including domestic establishments and those directly connected to the public low-voltage power supply network that supplies buildings used for domestic purposes. | |
| Harmonic emissions IEC 61000-3-2 | Complies | | |
| Voltage fluctuations / flicker emissions IEC 61000-3-3 | Complies | | |
| Immunity test | EN 60601-1-2:2015 test level | Achieved levels according EN 60601-1-2:2015 and achieved levels from additional standards. | Electromagnetic environment - guidance |
| Electrostatic discharge (ESD) IEC 61000-4-2 | ± 8 kV contact ±2 kV, ± 4 kV, ± 8 kV, ± 15 kVair | ± 8 kV contact ±2 kV, ± 4 kV, ± 8 kV, ± 15 kVair | Floors should be wood, concrete or ceramic tile. If floors are covered with synthetic material, the relative humidity should be at least 30%. |
| Electrical fast | ± 2 kV | ± 2 kV (mains input), | Mains power quality should be that of a |



PRODUCT SPECIFICATION C2xFMW3 12W

| | | | |
|---------------------------------------|--|------|----------|
| Document prepared and responsible for | | | |
| M. Mauritz | | | |
| Responsible for technical data | | Day | Month |
| S. Trethan | | 26 | 11 |
| | | Year | Revision |
| | | 20 | E |


| | | | |
|---|---|---|---|
| transient/burst IEC 610004-4 | 100 kHz repetition frequency | 100 kHz ± 2 kV (DC output), 5 kHz | typical commercial or hospital environment. |
| Surge IEC 61000-4-5 | Line-Line:± 0,5 kV, ± 1 kV | Line-Line:± 0,5 kV, ± 1 kV | Mains power quality should be that of a typical commercial or hospital environment. |
| Voltage dips, short interruptions and voltage variations on power supply input lines IEC 61000-4-11 | 0 % Ut; 0,5 cycle At 0°, 45°, 90°, 135°, 180°, 225°, 270° and 315° 0 % Ut; 1 cycle and 70 % Ut; 25/30 cycles Single phase: at 0° 0 % Ut; 250/300 cycle | 0 % Ut; 0,5 cycle At 0°, 45°, 90°, 135°, 180°, 225°, 270° and 315° 0 % Ut; 1 cycle and 70 % Ut; 25/30 cycles Single phase: at 0° 0 % Ut; 250/300 cycle | Mains power quality should be that of a typical commercial or hospital environment. If the user of the power supply requires continued operation during power mains interruptions, it is recommended that the power supply is powered from an uninterruptible power supply or battery. |
| Power frequency (50/60 Hz) magnetic field IEC 61000-4-8 | 30 A/m | 1, 3, 30 A/m | Power should be at levels characteristic of frequency magnetic fields a typical location in a typical commercial or hospital environment. |
| Conducted RF IEC 61000-4-6 | 6 Vrms 150 kHz to 80 MHz | 6 Vrms | Portable and mobile RF communications equipment should not be used closer to any part of the power supply, including cables, than the recommended separation distance. |
| Radiated RF IEC 61000-4-3 | 10 V/m 80 MHz to 2.7 GHz | 10 V/m | Recommended separation distances see following table. |

Field strengths from fixed transmitters such as base stations for radio (cellular/cordless) telephones, land mobile radios, amateur radio, AM and FM radio broadcast and TV broadcast, cannot be predicted theoretically with accuracy. To assess the electromagnetic environment due to fixed RF transmitters an electromagnetic site survey should be considered. If the measured field strength in the location in which the power supply is used, exceeds the applicable RF compliance level above, the power supply should be observed to verify normal operation. If abnormal performance is observed, additional measures may be necessary, such as reorienting or relocating the power supply.

Field strengths from fixed RF transmitters, as determined by an electromagnetic site survey should be less than the compliance level in each frequency range. Over the frequency range 150 kHz to 80 MHz, field strength should be less than 3 V/m.

Interference may occur in the vicinity of equipment marked with the following symbol: 

| | | | | |
|--|--|----------------------------------|-------------------------|--|
| Proximity fields from RF wireless communications equipment IEC 61000-4-3 | Frequency range and Level: RF wireless communication equipment | | | Supplementary information: EUT powered at one of the nominal input voltages and frequencies. Dwell time minimum 1s. Actual dwell time noted in results table. Note * - As an alternative to FM modulation, 50% pulse modulation at |
| | Test Frequency (MHz) | Modulation | Immunity Level (V/m) | |
| | 385 | **Pulse Modulation: 18Hz | 27 | |
| | 450 | *FM ±5Hz deviation: 1kHz sine | 28 | |
| | 710 745 780 | **Pulse Modulation: 217Hz | 9 | |
| 810 | **Pulse Modulation: 18Hz | 28 | | |

| | | | | | | |
|---|--|--|-----|-------|------|----------|
|  | Page 22 /21 | | | | | |
| | PRODUCT SPECIFICATION C2xFMW3 12W | | | | | |
| | Document prepared and responsible for | | | | | |
| | M. Mauritz | | | | | |
| Responsible for technical data | | | Day | Month | Year | Revision |
| S. Trethan | | | 26 | 11 | 20 | E |

| | | | | |
|--|----------------------|---------------------------|----|--|
| | 870 930 | | | 18Hz may be used because while it does not represent actual modulation, it would be worst case. Note ** - The carrier shall be modulated using 50% duty cycle square wave signal. |
| | 1720 1845 1970 | **Pulse Modulation: 217Hz | 28 | |
| | 2450 | **Pulse Modulation: 217Hz | 28 | |
| | 5240 5500 5785 | **Pulse Modulation: 217Hz | 9 | |

| Recommended separation distances between portable and mobile RF communications equipment and the power supply | | | |
|---|---|--|---|
| <p>The power supply is intended for use in the electromagnetic environment in which radiated RF disturbances are controlled. The customer or the user of the power supply can help prevent electromagnetic interference by maintaining a minimum distance between portable and mobile RF communications equipment (transmitters) and the power supply as recommended below, according to the maximum output power of the communication equipment.</p> | | | |
| Rated maximum output power of transmitter (W) | Separation distance according to frequency of transmitter (m) | | |
| | 150 kHz to 80 MHz $d = 1.2\sqrt{P}$ | 80 MHz to 800 MHz $d = 1.2\sqrt{P}$ | 800 MHz to 2.5 GHz $d = 2.3\sqrt{P}$ |
| 0.01 | 0.12 | 0.12 | 0.23 |
| 0.1 | 0.38 | 0.38 | 0.73 |
| 1 | 1.2 | 1.2 | 2.3 |
| 10 | 3.8 | 3.8 | 7.3 |
| 100 | 12 | 12 | 23 |
| <p>For transmitters rated at a maximum output power not listed above, the recommended separation distance d in metres (m) can be determined using the equation applicable to the frequency of the transmitter, where P is the maximum output power rating of the transmitter in watts (W) according to the transmitter manufacturer.</p> | | | |
| NOTE 1 | At 80 MHz and 800 MHz, the separation distance for the higher frequency range applies. | | |
| NOTE 4 | These guidelines may not apply in all situations. Electromagnetic propagation is affected by absorption and reflection from structures, objects and people. | | |